

Exhibit E

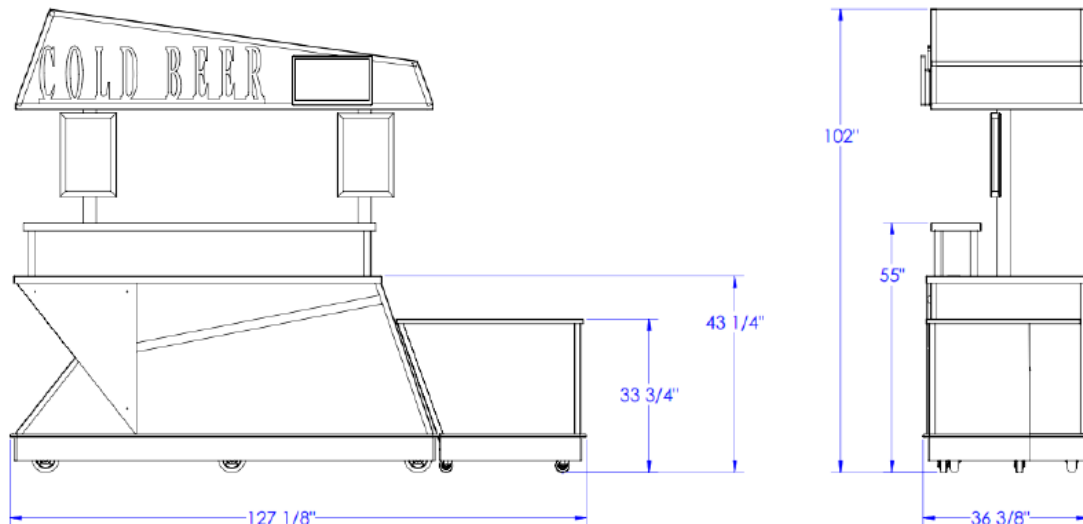
U.S. Bank Stadium is an active venue hosting a variety of events during the course of this Project's construction schedule. Event logistics and event programs take precedence over construction activities. Close coordination with construction activities that create noise and limit access to spaces will be paramount.

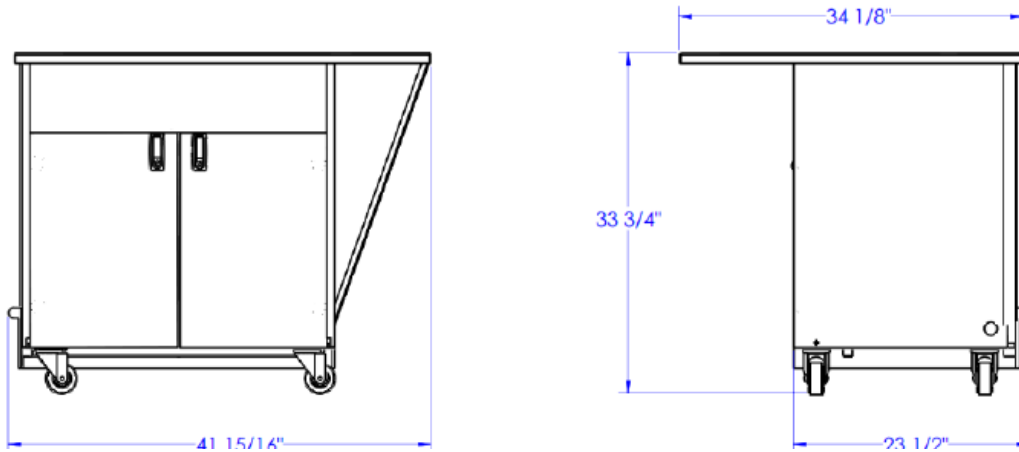
Non-Work Days:

- August 12 – Cold Play Concert
- August 27 – Vikings vs 49ers
- August 31 – Vikings vs Dolphins
- September 8 – U2 Concert
- September 11 – Vikings vs Saints

Project includes the selection, coordination, installation, start-up and testing of the following items:

1. **Installation, placement, utility hookup and testing** of all equipment at stated locations within the facility. This shall include uncrating, unboxing, and removal & disposal of packaging and materials, placement of equipment, connecting all equipment to utilities, and testing of all equipment.
2. (14) Beverage carts with matching ADA approved register cart.
 - a. Specs as follows:





3. Additional features to be include: 3 Dimensional signage, digital menu board, locking cabinets, drop in slot for ice well, ice well which allows for icing of product, full size casters/wheels with locks, bumpers, trim
4. Cart profile to match existing carts to provide a consistent look throughout the concourse where similar materials shall be used in the construction of carts.